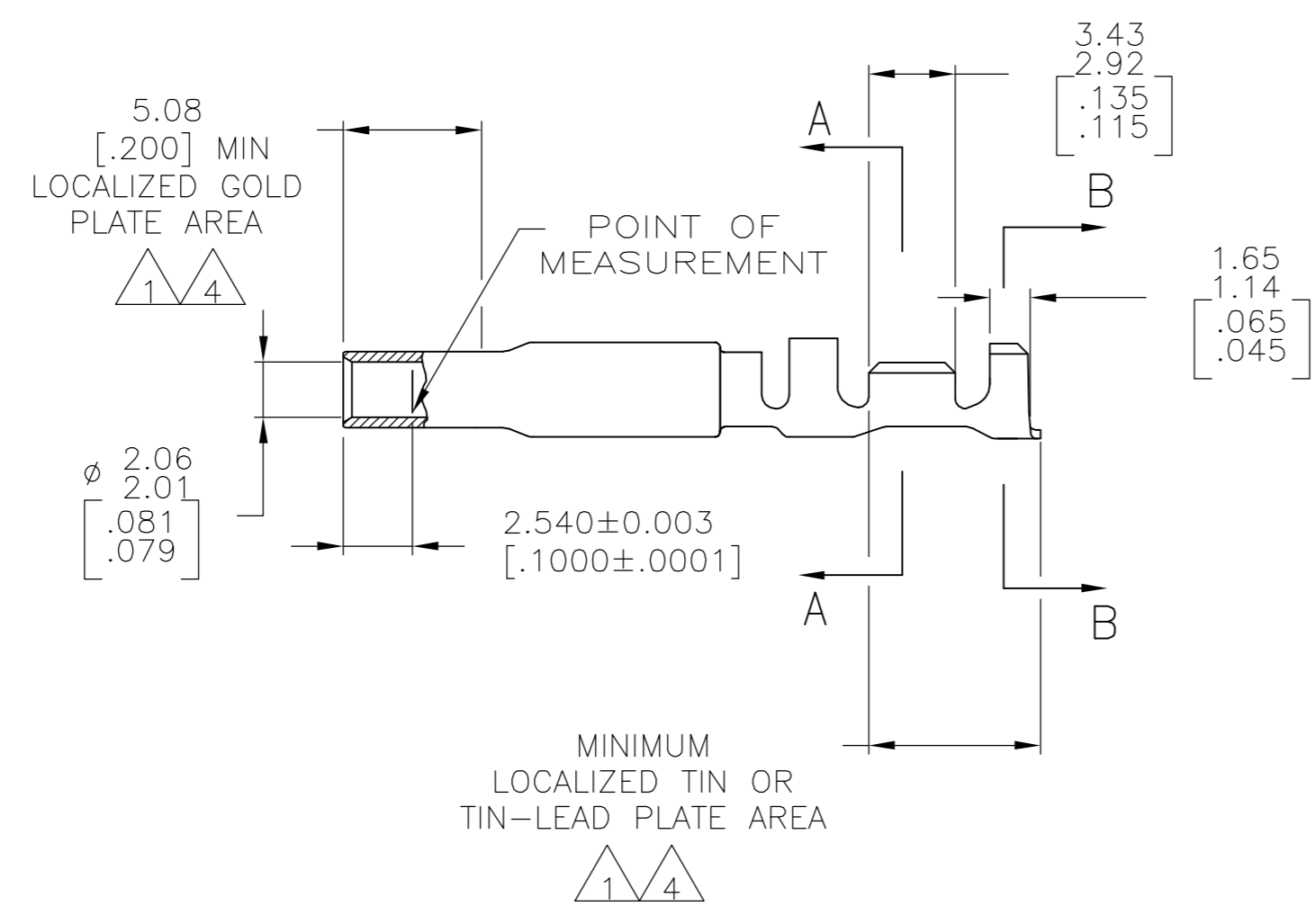
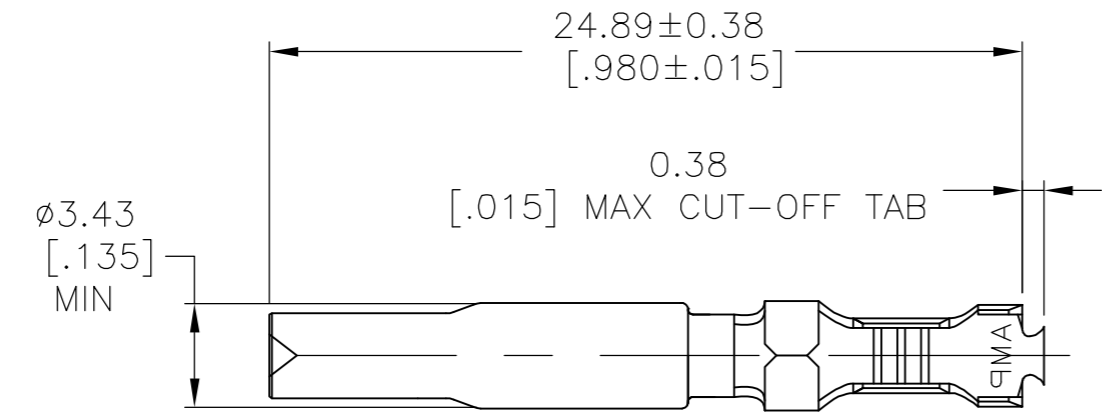


THIS DRAWING IS UNPUBLISHED. RELEASED FOR PUBLICATION  
 © COPYRIGHT BY TYCO ELECTRONICS CORPORATION. ALL RIGHTS RESERVED.

LOC		DIST		REVISIONS			
P	LTR	DESCRIPTION		DATE	DWN	APVD	
	C	EC 063B 0215 05		19SEP05	BSV	RCJ	

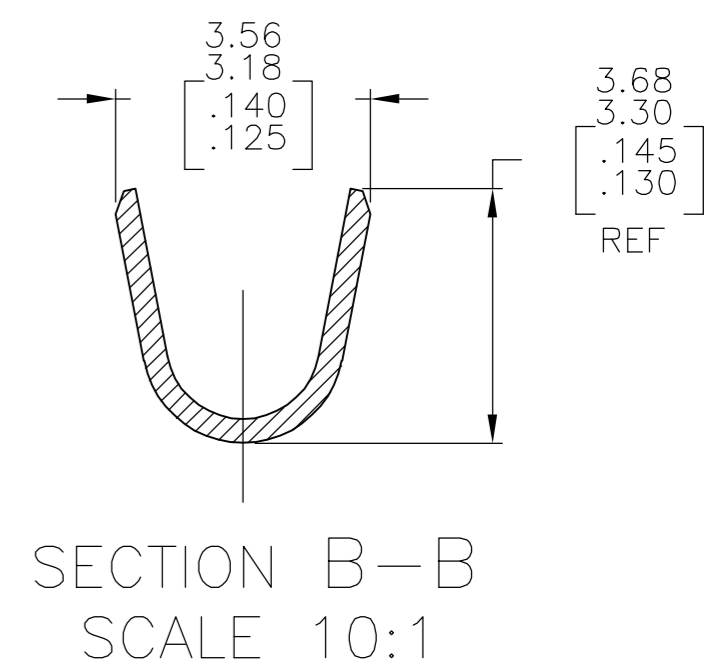
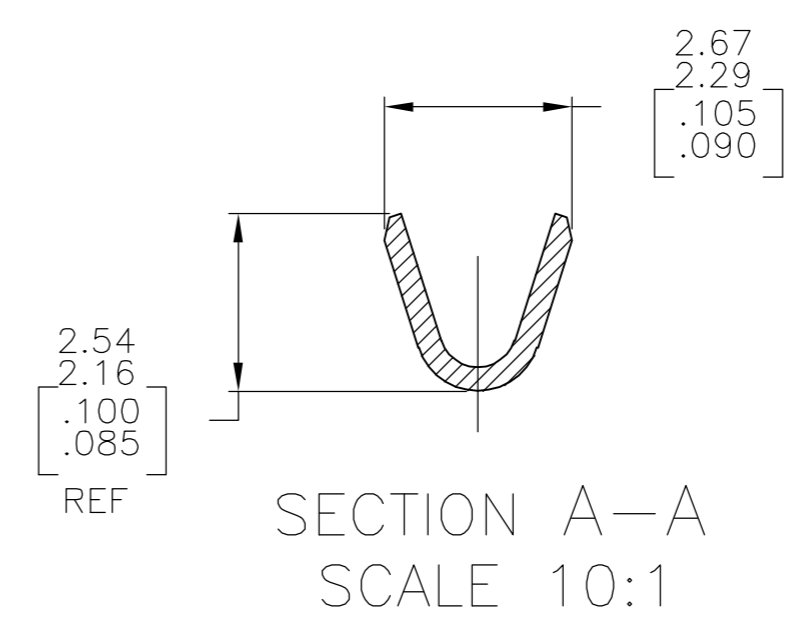


1. 0.00076[.000030] MIN GOLD AT POINT OF MEASUREMENT IN THE LOCALIZED GOLD PLATE AREA, 0.00127[.000050] MIN TIN-LEAD IN TIN-LEAD PLATE AREA, 0.00127[.000050] MIN NICKEL UNDERPLATE ON ENTIRE CONTACT.

2. WIRE RANGE: 0.2-1mm<sup>2</sup> [24-18 AWG].  
 INSULATION RANGE: 1.02-2.54[.040-.100] DIA.

3. DIMENSIONS IN BRACKETS ARE IN INCHES.

4. 0.00076[.000030] MIN GOLD AT POINT OF MEASUREMENT IN THE LOCALIZED GOLD PLATE AREA, 0.00127[.000050] MIN TIN IN TIN PLATE AREA, 0.00127[.000050] MIN NICKEL UNDERPLATE ON ENTIRE CONTACT.



FINISH	MATERIAL	PART NO
GOLD 4	0.30 [.012] PH BRZ	1-770253-0
GOLD 1	0.30 [.012] PH BRZ	770253-4
PRE-TIN	0.30 [.012] PH BRZ	770253-3

THIS DRAWING IS A CONTROLLED DOCUMENT.		DWN K. SALMON 20JAN93	Tyco Electronics Corporation Harrisburg, PA 17105-3608		
DIMENSIONS: mm [INCHES]		CHK R. SWING 20JAN93			
TOLERANCES UNLESS OTHERWISE SPECIFIED:		APVD M. TRULL 01APR93	NAME SOCKET, LOOSE PIECE, UNIVERSAL MATE-N-LOK™ II		
0 PLC ± - 1 PLC ± - 2 PLC ± - 3 PLC ± - 4 PLC ± - ANGLES ± -		PRODUCT SPEC APPLICATION SPEC	SIZE A2	CAGE CODE 00779	DRAWING NO C=770253
MATERIAL SEE TABLE		FINISH SEE TABLE	WEIGHT -	RESTRICTED TO -	SCALE 4:1
CUSTOMER DRAWING			SHEET 1 of 1	REV C	

METRIC